

Horizontal Acting Toggle Clamps

Steel / Stainless Steel, with Vertical Mounting Base

SPECIFICATION

Types

- Type **N**: U-bar version, with two flanged washers
- Type **NC**: U-bar version, with two flanged washers and GN 708.1 spindle assembly (see page 1625)
- Type **P**: Solid bar version, with clasp

Version in Steel

- Case-hardened Steel C10, zinc plated, blue passivated
- Bearing pins tempered
- Bearing rivets (for size 355 and up), case-hardened

All moving parts lubricated with special grease

Hand grip

High quality, oil resistant red plastic

Spindle assembly GN 708.1, Type A (see page 1625)

- Steel, zinc plated
- Rubber tip 85 Shore A

Version in Stainless Steel NI

Stainless Steel AISI 304

All moving parts lubricated with special grease

Hand grip

High quality, oil resistant red plastic

Spindle assembly GN 708.1, Type A (see page 1625)

- Stainless Steel AISI 304
- Rubber tip 85 Shore A

TECHNICAL INFORMATION

- Stainless Steel characteristics (see page A26)

ACCESSORY

- Spindle assemblies (see page 1623)
- GN 801 clamp mounts for toggle clamps (for Type N) (see page 1629)
- GN 809 clamp mounts for toggle clamps (for Type P) (see page 1630)



INFORMATION

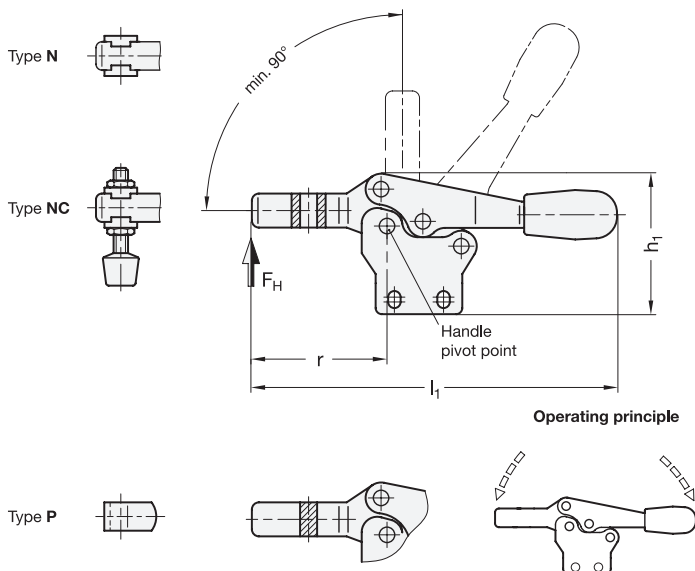
GN 820.1 horizontal acting toggle clamps work according to the toggle principle: lever and clamping bar move in the opposite direction.

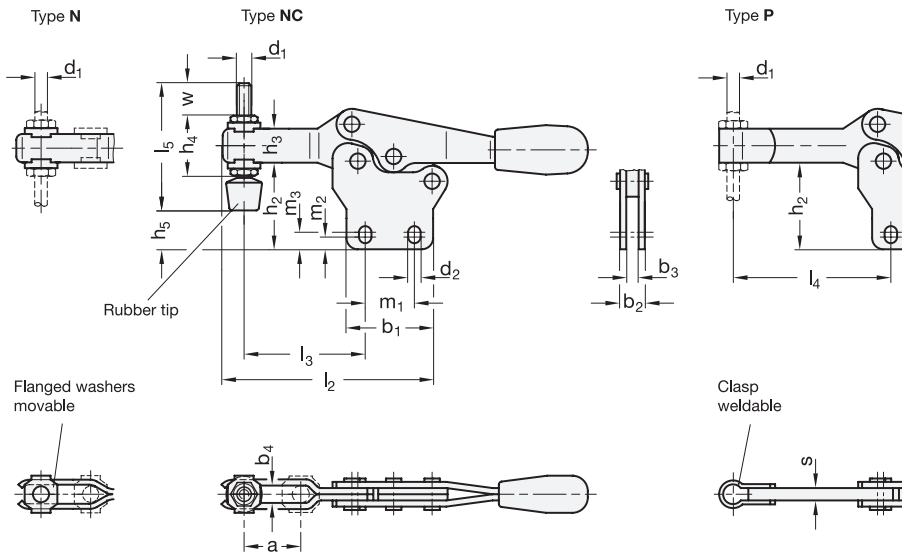
They require less space for the clamping action. In the clamped position the operating lever is in its horizontal position.

Horizontal acting toggle clamps in the U-bar version with two flanged washers (Type N) can accommodate an application specific clamping screw. A spindle assembly with neoprene rubber tip is also included for Type NC.

Type P version can either be utilized by welding the clasp which can then accommodate an application specific hold-down fastener component, or by utilizing the bar in conjunction with the GN 809 (see page 1630) clamp mounts to hold the work piece in place.

- General information for toggle clamps (see page 1560)





* Complete with type index of the horizontal acting toggle clamps

N NC P

GN 820.1

Description	Size	FH in N	a ≈	b1	b2	b3	b4	d1	d2	h1 ≈	h2	h3	h4	h5 max.	l1 ≈	l2 ≈	l3 ≈	l4 max.	l5	m1	m2	m3	r ≈	s	w	⚖
GN 820.1-75-*	75	900	20	28	8	4	5.5	M5	4.5	45.5	27.5	11	19	12.5	118	68	40	49.5	45	13.5	3.5	5	43	4	15	90
GN 820.1-130-*	130	1000	32	36	10	5	6.5	M6	5.5	64	44	16	25.5	27.5	170	92	53	64	55	26	5.8	8.8	62	5	17.5	200
GN 820.1-230-*	230	1700	37	44	12	6	8.5	M8	6.5	75	50	18	30	26	196	109	63.5	78	68	26	6.5	9	73	6	20	330
GN 820.1-355-*	355	1800	58	60	14	7	10.4	M10	8.5	102	69	22	37	42.5	270	161	96	115	77	41	7.5	9.6	110	7	19	700
GN 820.1-455-*	455	3200	65	70	18	10	12.4	M12	8.5	119	80.5	26	43	48	309	186	116	135	100	41.5	11	12.5	128	10	33	1200

GN 820.1-NI

STAINLESS STEEL

Description	Size	FH in N	a ≈	b1	b2	b3	b4	d1	d2	h1 ≈	h2	h3	h4	h5 max.	l1 ≈	l2 ≈	l3 ≈	l4 max.	l5	m1	m2	m3	r ≈	s	w	⚖
GN 820.1-75-*-NI	75	900	20	28	8	4	5.5	M5	4.5	45.5	27.5	11	19	12.5	118	68	40	49.5	45	13.5	3.5	5	43	4	15	90
GN 820.1-130-*-NI	130	1000	32	36	10	5	6.5	M6	5.5	64	44	16	25.5	27.5	170	92	53	64	55	26	5.8	8.8	62	5	17.5	200
GN 820.1-230-*-NI	230	1700	37	44	12	6	8.5	M8	6.5	75	50	18	30	26	196	109	63.5	78	68	26	6.5	9	73	6	20	330

Weight type N